



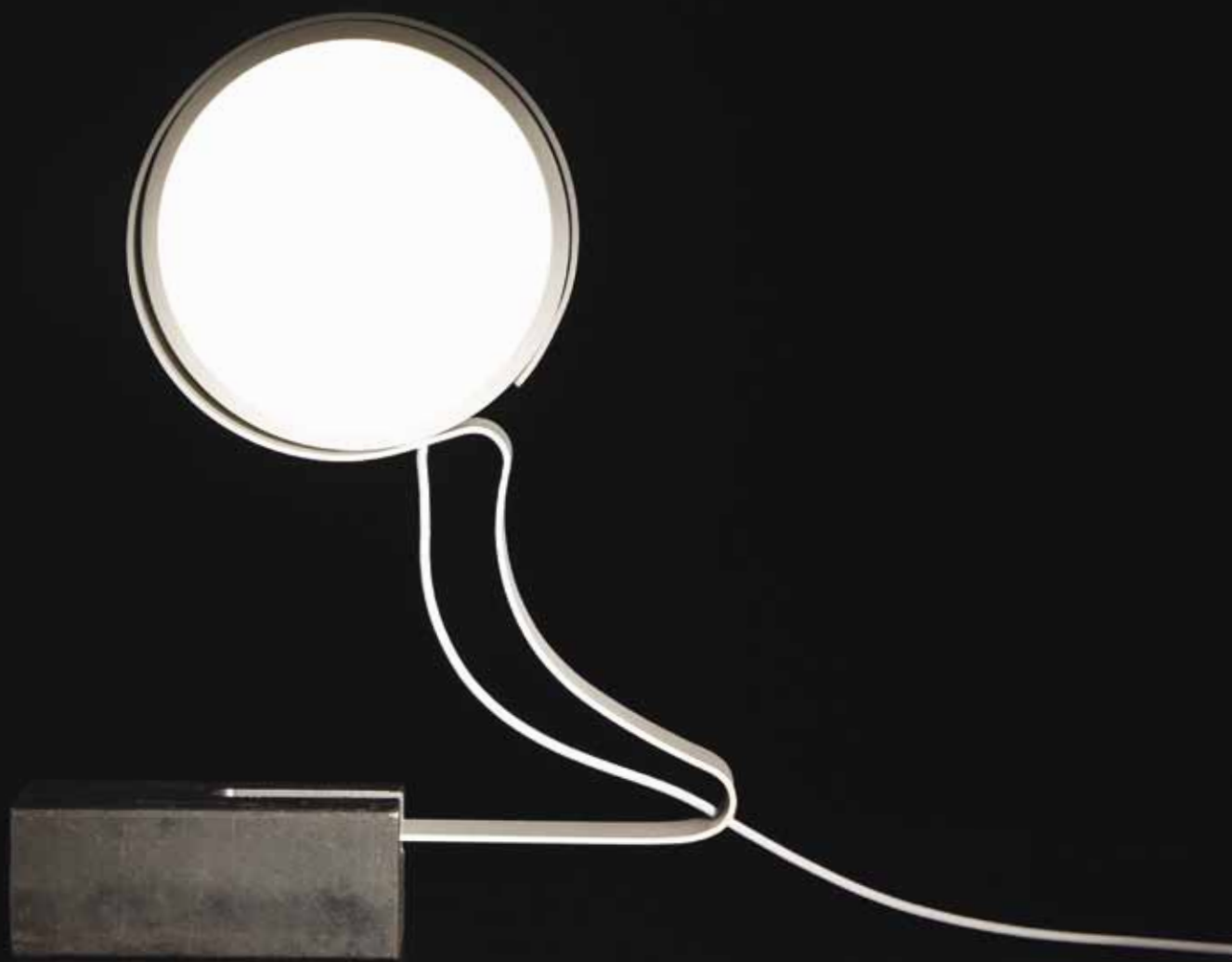
knickerboker  
the art of hand made

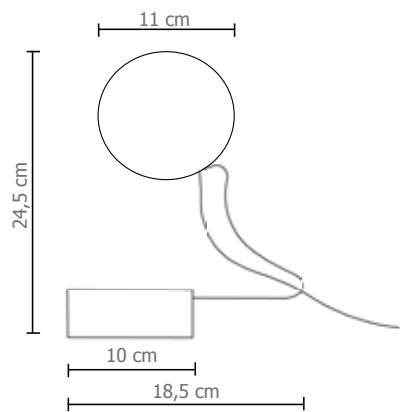
**do  
not  
disturb**  
"we are creating"





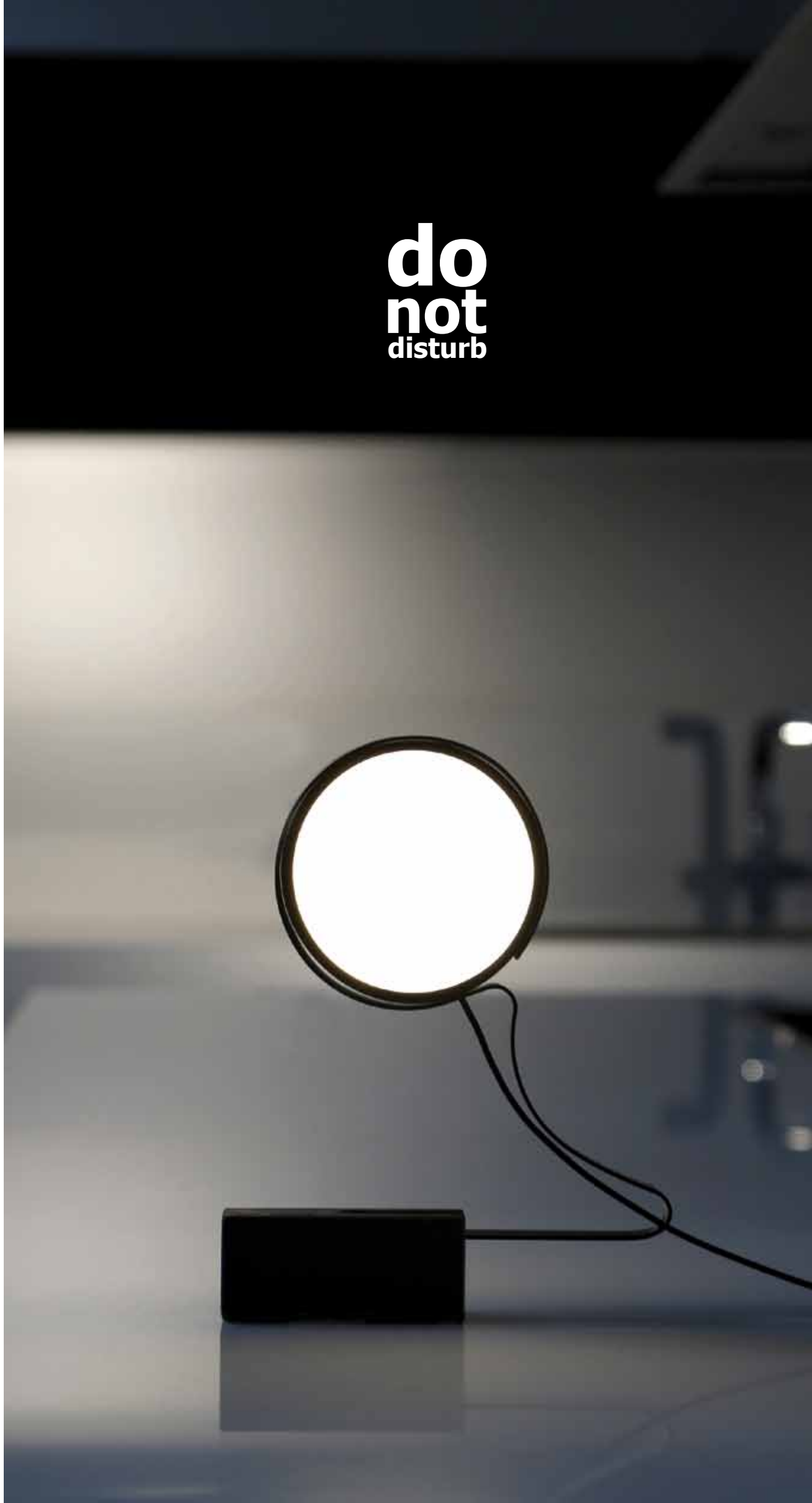
dnd•profile•table





**dnd•profile•table**

Table lamp  
in hand curved steel  
base in raw iron  
double reflective opal discs  
finishing:  
white•matt black  
silver leaf•gold leaf  
electric supply:  
7W 24V - 840 lm - 3000°K  
power adapter 15W 24V



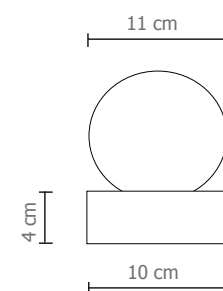
**do  
not  
disturb**

**do  
not  
disturb**



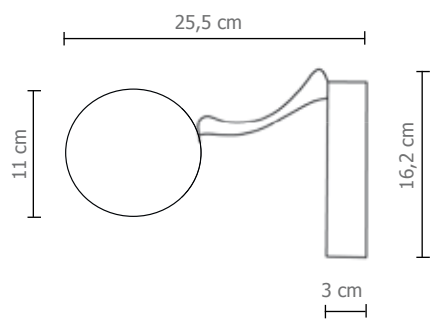
**dnd•table**

Table lamp  
base in raw iron  
double reflective opal discs  
finishing:  
white•matt black  
silver leaf•gold leaf  
electric supply:  
7W 24V - 840 lm - 3000°K  
power adapter 15W 24V





do  
not  
disturb

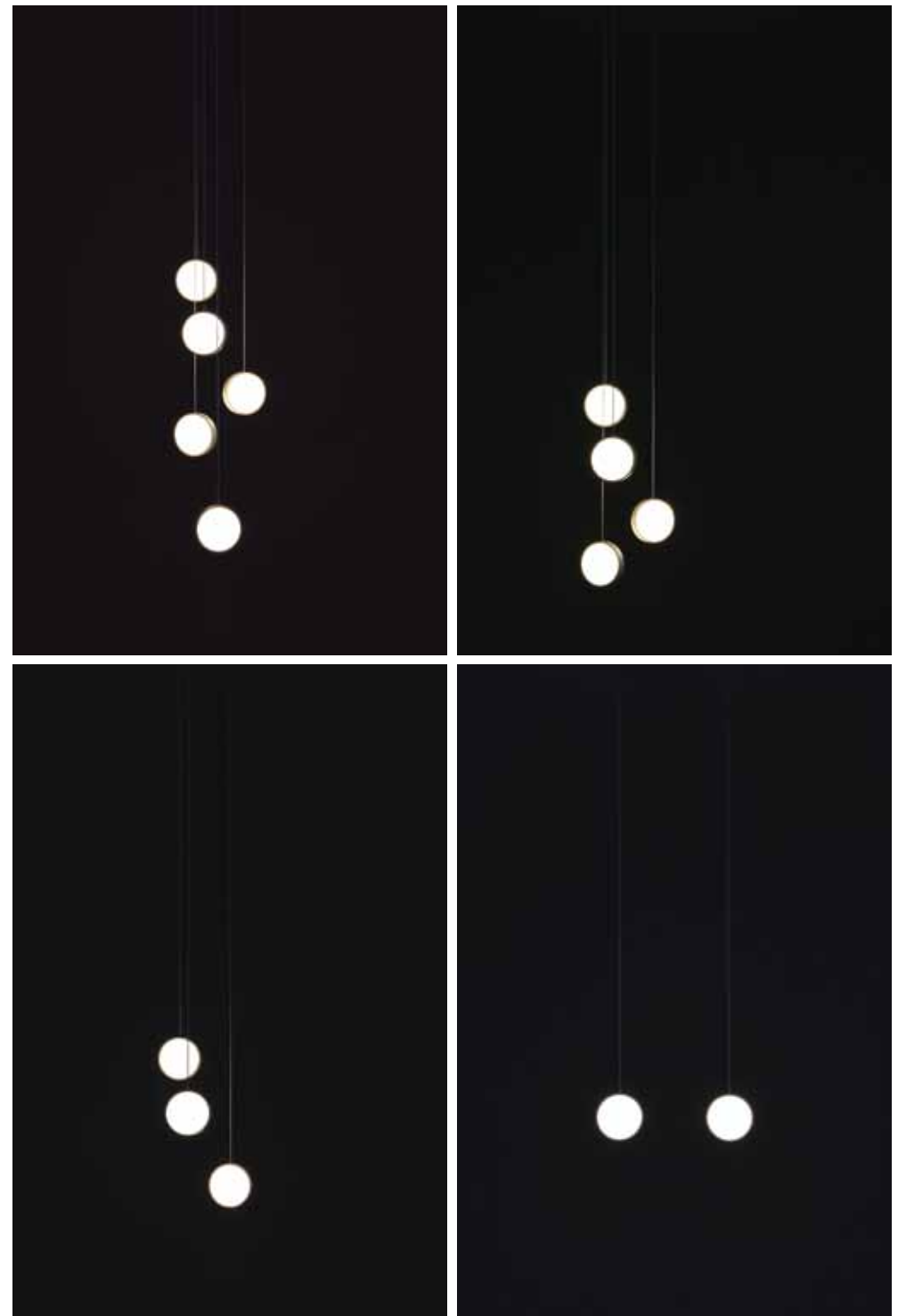


**dnd•profile•wall**

Wall lamp  
in hand curved steel  
base in iron  
double reflective opal discs  
finishing:  
white•matt black  
silver leaf•gold leaf  
electric supply:  
7W 24V - 840 lm - 3000°K  
led power supply 8,4W 24V



dnd•suspension  
**modular**



**do  
not  
disturb**

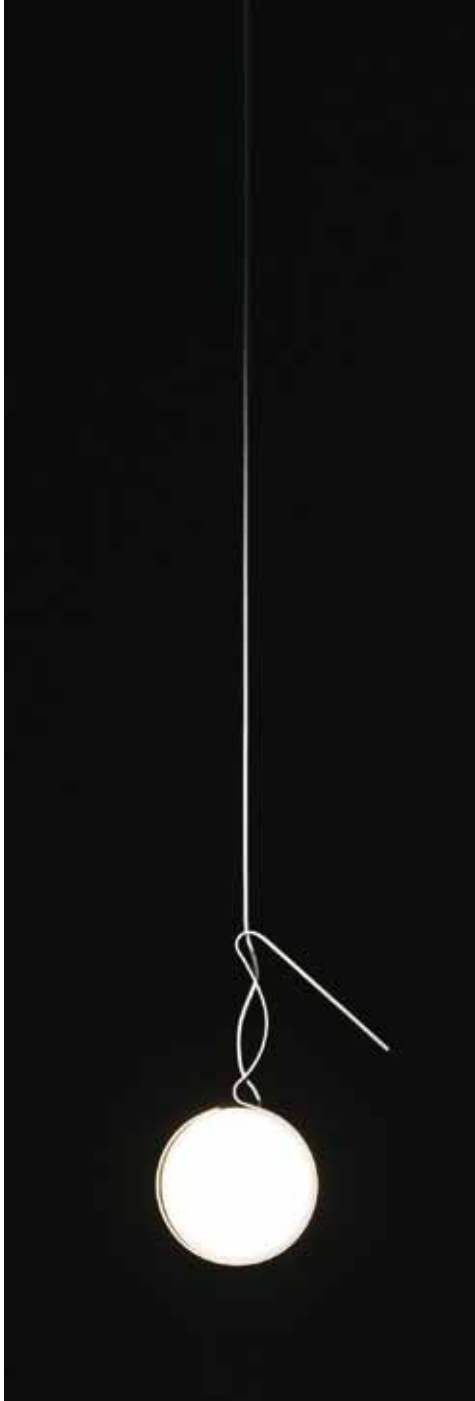


**do  
not  
disturb**



**dnd•suspension•one**

Suspension lamp  
double reflective opal discs  
finishing:  
white•matt black  
silver leaf•gold leaf  
electric supply:  
7W 24V - 840 lm - 3000°K  
led power supply 8,4W 24V



**do  
not  
disturb**

**"we are creating"**

Ph. carlo bistolfi  
Graphic Design beppe ranica



Finito di stampare  
09•04•2013

**Style-Attitude™**  
DNA CREATIVO

**dnd•profile•suspension**

Suspension lamp  
in hand curved steel  
double reflective opal discs  
finishing:  
white•matt black  
silver leaf•gold leaf  
electric supply:  
7W 24V - 840 lm - 3000°K  
led power supply 8,4W 24V





